

Software Defined Radio Implementation of Signaling Splitting in Hyper-Cellular Network

Tao Zhao, Pengkun Yang, Huimin Pan, Ruichen Deng, Sheng Zhou, Zhisheng Niu
Tsinghua National Laboratory for Information Science and Technology
Department of Electronic Engineering
Tsinghua University, Beijing 100084, China
t-zhao12@mails.tsinghua.edu.cn

ABSTRACT

This paper presents the design and implementation of signaling splitting scheme in hyper-cellular network on a software defined radio platform. Hyper-cellular network is a novel architecture of future mobile communication systems in which signaling and data are decoupled at the air interface to mitigate the signaling overhead and allow energy efficient operation of base stations. On an open source software defined radio platform, OpenBTS, we investigate the feasibility of signaling splitting for GSM protocol and implement a novel system which can prove the proposed concept. Standard GSM handsets can camp on the network with the help of signaling base station, and data base station will be appointed to handle phone calls on demand. Our work initiates the systematic approach to study hyper-cellular concept in real wireless environment with both software and hardware implementations.

Categories and Subject Descriptors

C.2.1 [Computer-Communication Networks]: Network Architecture and Design—*Wireless communication*

General Terms

Design, Experimentation

Keywords

Signaling splitting; hyper-cellular network; OpenBTS

1. INTRODUCTION

The mobile communication networks face the challenge of utilizing limited spectrum and energy to meet the demand of rapid traffic growth. In the conventional cellular networks, each base station takes care of the coverage as well as the traffic in its own cell. To cope with exponentially increasing traffic demand of mobile Internet services [5], more base stations are to be deployed densely. It leads to large energy

consumption, more inter-cell interference, and frequent handovers [4]. Base station sleeping is proposed to increase the energy efficiency, but can possibly generate wireless coverage holes which is unacceptable in practical system. Base station cooperation can be used to mitigate inter-cell interference, but the scheduling of adjacent cells is hard due to lack of global view. Besides, frequent handovers increase the signaling overhead, rendering the system less efficient.

The framework of hyper-cellular network aims at solving above problems by separating the coverage of control channel and data channel [11]. In the hyper-cellular network, signaling splitting is realized with two types of base stations: signaling base station (SBS) and data base station (DBS). The SBS is responsible for the control coverage, while DBSs take care of the data traffic demand and are deployed more densely. Taking advantage of the space time variation of data traffic, the DBSs can be dynamically switched on and off or scheduled to provide coordinated transmission under the SBS's command. By signaling splitting, hyper-cellular network can mitigate the signaling overhead and make the system globally resource optimized and energy efficient.

Hyper-cellular network is a novel framework concept and the related study focuses on the initial feasibility tests and simulations. In the conceptual study based on LTE network [14] Huawei researchers propose to separate control and data by network functionalities. Their numerical results show great reduction of energy consumption of the separation scheme compared to the tradition LTE networks. However, no system implementation of the hyper-cellular architecture is available in the literature to our knowledge. Another question to the novel architecture is whether present wireless protocols can be upgraded gradually to deploy the signaling splitting scheme. The current cellular network is effectively a mixed system with various protocols such as GSM, WCDMA, and LTE-A. It will be a big incentive to attract the mobile operators and device vendors to adopt the hyper-cellular architecture if the current running system can be smoothly upgraded. The paper takes GSM protocol as a case study and presents a working demonstration of hyper-cellular network in which signaling splitting scheme is implemented on a software defined radio platform.

Software defined radio originally means to move physical layer functions from dedicated hardware to programmable software in the radio communication system [9]. Now its application has been extended to validate novel algorithms, realize full wireless protocol stack, and implement state of the art wireless systems [2, 3, 10, 13]. The flexibility, rapid development and deployment, ease of programming as well

Permission to make digital or hard copies of all or part of this work for personal or classroom use is granted without fee provided that copies are not made or distributed for profit or commercial advantage and that copies bear this notice and the full citation on the first page. Copyrights for components of this work owned by others than ACM must be honored. Abstracting with credit is permitted. To copy otherwise, or republish, to post on servers or to redistribute to lists, requires prior specific permission and/or a fee. Request permissions from permissions@acm.org.

SRIF '13, August 12, 2013, Hong Kong, China.

Copyright 2013 ACM 978-1-4503-2181-5/13/08 ...\$15.00.

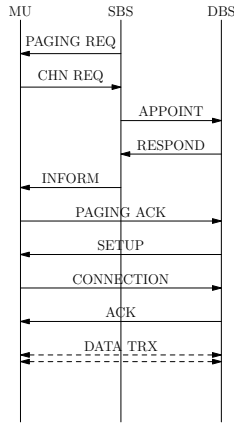


Figure 3: The information flow of mobile terminated service.

nels (CCH). The control channels can be divided into three groups: broadcast channels (BCH) including BCCH, FCCH, and SCH; common control channels (CCCH) consisting of PCH, NCH, RACH, and AGCH; dedicated control channels (DCCH) which include SDCCH, SACCH, and FACCH [7].

When the logical channels are mapped to the physical channel, only certain combinations of logical channels are permitted according to the specification. For example there are TCH+SACCH, FCCH+SCH+BCCH+CCCH, and SDCCH+SACCH among common combinations [8]. After the mapping the signaling in the control channel and the data in the traffic channel are coupled together in the traditional GSM cellular system.

Hyper-cellular network aims at decoupling signaling and data at the air interface to enable dynamic network operation and soft resource matching. When applying the signaling splitting concept into practical system, we follow the principle of decoupling as much as possible while ensuring smoothly upgradable. Thorough separation maximizes the benefits of simplification and specific optimization of two types of base stations, but might be impractical to migrate existing system smoothly. The ability of upgrading smoothly is highly attractive to network operators. No modification on the user equipment side is appreciated as it brings no breakage to device vendors and mobile users thus speeding up the migration.

Our signaling splitting scheme of GSM air interface is shown in tab. 1 and tab. 2. From the view of network functionalities, the signaling base station takes care of synchronization, system information broadcasting, and paging, while the data base station just handles data traffic services. In the aspect of logical channels, BCH and CCCH are of the signaling base station's responsibility, while TCH only resides at the data base station. SACCH and FACCH are included on the data base station's side since they carry the essential signaling during data transmission and the combination of TCH+FACCH+SACCH is commonly used. Note that the data base station has SDCCH as well as the signaling base station. SDCCH is essentially a standalone logical channel and not tied to TCH, but it is used in the SDCCH+SACCH combination to provide large SDCCH capacity when the load is heavy. This consideration leads us to leave SDCCH also in the data base station.

Table 1: Functionality separation of GSM air interface

Functionality	Signaling BS	Data BS
Synchronization	✓	
Broadcasting	✓	
Paging	✓	
Data Traffic		✓

Table 2: Logical channel separation of GSM air interface

Logical channel	Signaling BS	Data BS
BCH	✓	
CCCH	✓	
TCH		✓
SACCH		✓
FACCH		✓
SDCCH	✓	✓

4. SOFTWARE DEFINED RADIO IMPLEMENTATION

We implement the proposed signaling splitting scheme of hyper-cellular network concept on the software defined radio platform OpenBTS. In the OpenBTS application physical layer (L1) and data link layer (L2, LAPDm) are consistent with the standard GSM Um interface specification, but the network layer (L3) differs in several aspects: Radio Resource (RR) is terminated locally in OpenBTS; Mobility Management (MM) and Call Control (CC) are translated to SIP transactions and handed to external PBX [12]. Besides, OpenBTS uses sqlite3 databases to store user information. A separate application named sipauthserve uses the databases to authenticate mobile users. This way traditional core network equipment is avoided, leading to a flattened and lightweight network infrastructure.

Based on the source code of the OpenBTS application we create the two types of base stations in hyper-cellular network. The separation of network functionality and GSM logical channels is applied to implement the signaling splitting scheme. After the separation only the signaling base station is capable of broadcasting system information, discovering and authenticating mobile users. The data base station keeps silent until receiving the appointment from the signaling base station. Then it will take care of the mobile user's data transmission. The signaling message between the signaling base station and the data base station is exchanged by UDP sockets in current implementation.

Figure 4 depicts our experiment scenario. In the setup, two OpenBTS instances run on two Dell commodity desktop PCs. The one with Intel Core i7-2600 CPU serves as the signaling base station and the other with Intel Core2 Duo E6550 CPU runs the affiliated data base station instance. The two base stations use the same cell color code but different ARFCNs. USRP N210s from Ettus Research [1] are used as the radio front end. N210 is connected to the host PC by the Gigabit Ethernet interface. The on board oscillator runs at the frequency 100 MHz, with the frequency stability of 2.5 ppm. It can work fine with OpenBTS's transceiver with resampling enabled at the host PC. We use WBX daughter boards which can operate in the 900 MHz band. The

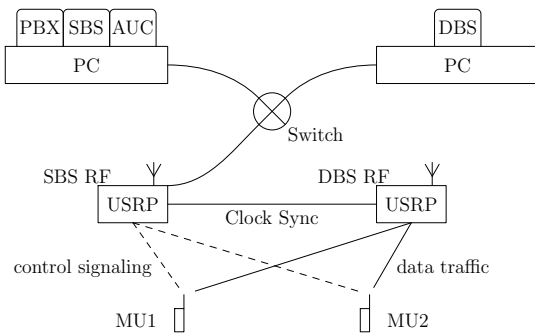


Figure 4: The experiment scenario.

antennas are of the type VERT900. The two PCs and the master N210 are connected to one Gigabit Ethernet switch. Two N210s are interconnected in shared Ethernet mode with one MIMO cable which synchronizes the clock and timing between the slave N210 and the host PC. Note that the asterisk instance and the sipauthserve instance are running only on the signaling base station side. They are in charge of switching and authentication respectively. We use two Nokia 1000 GSM phones in the experiments.

In the tests we monitor the base stations' activities when mobile users camp on the network and make phone calls to each other. The experiment results show that standard GSM handsets can camp on the network after powered on. The signaling information is exchanged between the mobile handset and the signaling base station, while the data base station does nothing but waits for the task appointment. Phone calls can be connected between standard handsets. The channel request and paging are between the handset and the signaling base station. The channel appointment and response are done between the two types of base stations. Direct connection is then established between the data base station and the mobile user for the connected phone call. The results validate our signaling splitting scheme of GSM air interface. To our knowledge this is the first working system in the real wireless environment to prove the hyper-cellular network concept.

5. CONCLUSIONS

The hyper-cellular architecture is a redesign of the air interface in mobile communication networks. It enables dynamic base station operation to make the system globally resource optimized and energy efficient with the method of signaling splitting. This paper focuses on the GSM protocol and presents a feasible way to implement signaling splitting scheme upon it. We implement the proposed scheme on the software defined radio platform OpenBTS and create a prototype system capable of discovering standard GSM handsets and connecting phone calls in the real wireless environment. Our work demonstrates the hyper-cellular network concept in practical system and it can serve as the basis to bring hyper-cellular network study into the system implementation field. Future work will consider base station cooperation, evaluate the energy efficiency, and investigate the signaling splitting scheme in more advanced wireless protocols.

6. ACKNOWLEDGMENTS

This work is sponsored in part by the National Basic Research Program of China (2012CB316001), the Nature Science Foundation of China (61201191, 60925002, 61021001), and Hitachi Ltd.

7. REFERENCES

- [1] Ettus Research Website. <http://www.ettus.com>.
- [2] GNU Radio Website. <http://www.gnuradio.org>.
- [3] OpenBTS Public Release Wiki. <http://wush.net/trac/rangepublic/wiki/WikiStart>.
- [4] China Mobile Research Institute. C-RAN The Road Towards Green RAN. White paper, China Mobile Research Institute, Oct. 2011. Version 2.5.
- [5] Cisco and/or its affiliates. Cisco Visual Networking Index: Global Mobile Data Traffic Forecast Update, 2012–2017. White paper, Cisco, Feb. 2013.
- [6] Digium, Inc. Asterisk. <http://www.asterisk.org/>.
- [7] J. Eberspacher, H.-J. Vogel, C. Bettstetter, and C. Hartmann. *GSM - Architecture, Protocols and Services*. Wiley, 3rd edition, Feb. 2009.
- [8] T. Halonen, J. Romero, and J. Melero. *GSM, GPRS and EDGE Performance: Evolution Towards 3G/UMTS*. Wiley, 2nd edition, Nov. 2003.
- [9] IEEE Communications Society. IEEE Standard Definitions and Concepts for Dynamic Spectrum Access: Terminology Relating to Emerging Wireless Networks, System Functionality, and Spectrum Management. *IEEE Std 1900.1-2008*, pages c1–48, 2008.
- [10] A. Kaszuba, R. Checinski, and J. Lopatka. MIMO implementation with Alamouti coding using USRP2. In *Progress In Electromagnetics Research Symposium Proceedings*, pages 899–902, 2011.
- [11] Z. Niu, S. Zhou, S. Zhou, X. Zhong, and J. Wang. Energy efficiency and resource optimized hyper-cellular mobile communication system architecture and its technical challenges. *SCIENTIA SINICA Informationis*, 42(10):1191–1203, 2012. In Chinese.
- [12] Range Networks, Inc. *OpenBTS P2.8 Users' Manual*. Range Networks, Inc., 2011.
- [13] K. Tan, H. Liu, J. Zhang, Y. Zhang, J. Fang, and G. Voelker. Sora: high-performance software radio using general-purpose multi-core processors. *Communications of the ACM*, 54(1):99–107, Jan. 2011.
- [14] X. Xu, G. He, S. Zhang, Y. Chen, and S. Xu. On Functionality Separation for Green Mobile Networks: Concept Study over LTE. *IEEE Communications Magazine*, 51(5):82–90, 2013.